

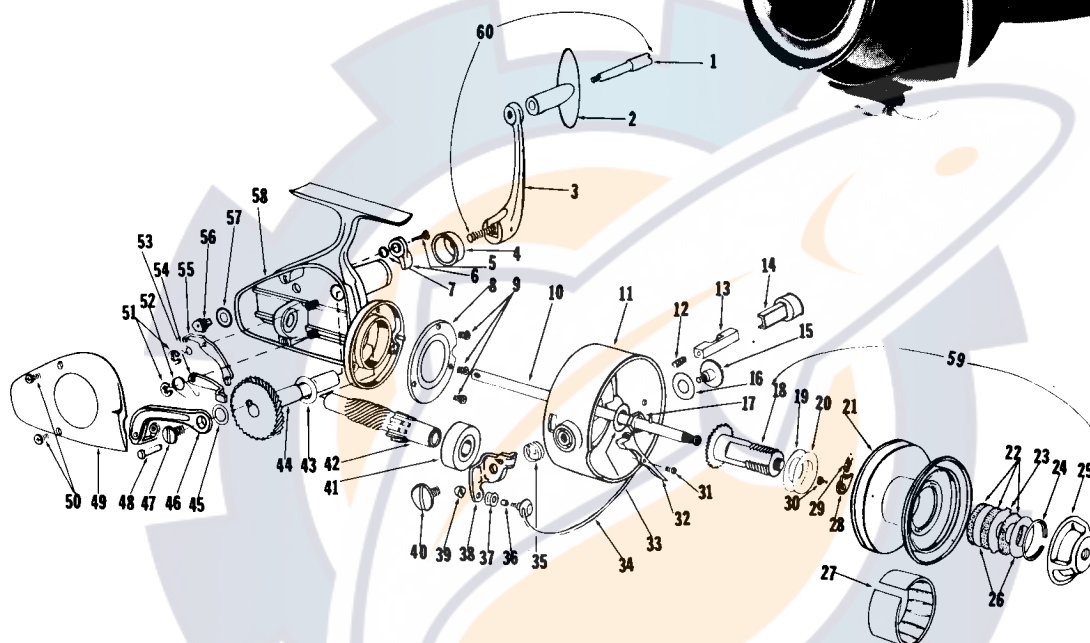
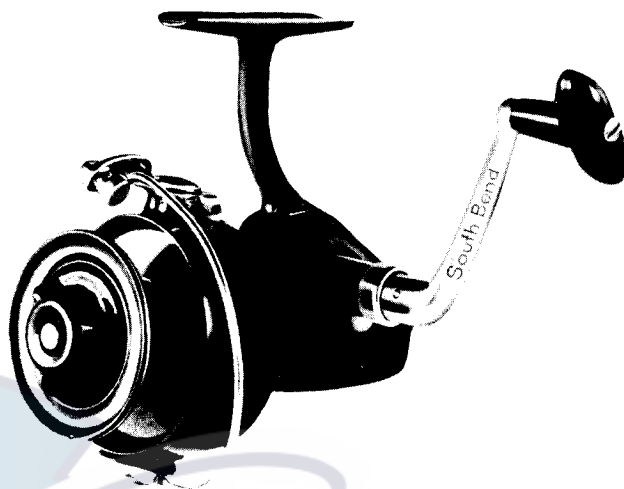


GLADDING
South Bend Tackle Co., Inc.
 Division of GLADDING Corporation

930

3-220-930

SPINNING REEL



Detail No.	Part Name	Part No.	Price	Detail No.	Part Name	Part No.	Price
1	Crank Handle Pin	SP2	.65	33	Pick-up housing lock washer	SP99	.10
2	Crank Handle	SP5	.55	34	Pick-up bail — with roller bearing & trip bracket	SPA3	2.40
3	Crank Arm	SP8	1.40	35	Bail bracket spring	SPA7	.25
4	Crank Arm Cover	SP12	.85	36	Line roller sleeve	SPA9	.55
5	Non Reverse lever screw	SP15	.10	37	Line roller	SPA11	.70
6	Non reverse lever	SP16	.20	38	Trip bracket	SPA14	.85
7	Non reverse bushing	SP17	.20	39	Roller lock nut	SPA17	.30
8	Ball bearing retaining Plate	SP19	.20	40	Bail bracket screw	SPA19	.65
9	Ball bearing plate screws	SP21	3@.15	41	Ball bearing	SPA22	1.00
10	Main shaft assembly	SP23	1.45	42	Pinion gear	SPA25	4.50
11	Pick-up housing	SP27	3.55	43	Drive gear washer	SPA28	.10
12	Plunger spring	SP30	.10	44	Drive gear	SPA31	2.50
13	Plunger	SP32	.35	45	Washer	SPA35	.10
14	Plunger sleeve	SP36	.35	46	Level wind lever for 935 & 960 bracket attached	SPA39	.70
15	Trip bracket screw	SP40	.65	47	Level wind lever screw	SPA43	.35
16	Trip bracket washer	SP43	.20	48	Level wind pin	SPA47	.10
17	Pick-up housing nut	SP46	.15	49	Cover plate	SPA50	1.25
18	Spool Shaft	SP49	1.35	50	Cover plate screws	SPA53	2@.15
19	Spool washer (thick)	SP53	.10	51	Snap rings	SPA54	2@.10
20	Spool washer (thin)	SP56	.10	52	Non reverse pawl spring	SPA56	.10
21	Spool	SP59	2.90	53	Non reverse pawl	SPA59	.20
22	Drag washers	SP63	3@.35	54	Non reverse cam spring	SPA62	.10
23	Drag eared washer	SP66	.15	55	Non reverse arm	SPA65	.20
24	Retaining ring	SP69	.10	56	Non reverse cam	SPA68	.20
25	Drag button	SP72	1.25	57	Non reverse washer	SPA70	.10
26	Drag keyed washer	SP75	2@.25	58	Frame	SPA73	4.50
27	Spool arbor	SP78	.35	59	Spool — complete with internal parts	SPA77	6.00
28	Click pawl	SP82	.20	60	Crank handle assembly	SPA81	3.60
29	Click spring	SP86	.10				
30	Click pawl screw	SP89	.20				
31	Bail stop screw	SP91	.10				
32	Bail stop	SP95	.40				